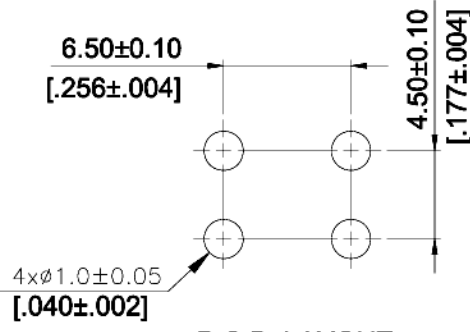
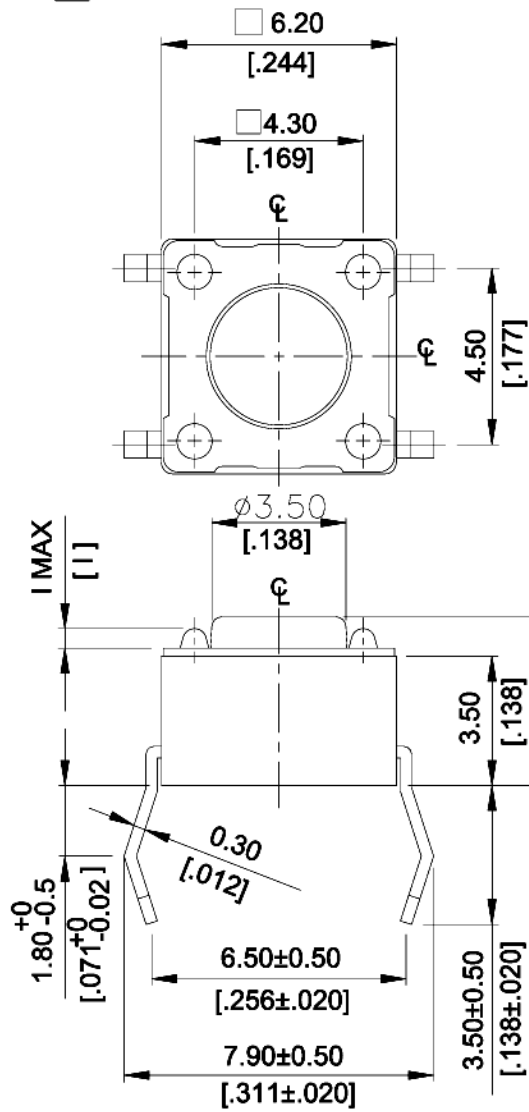


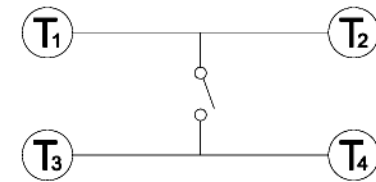
DTS-6(2) SERIES

**DIMENSIONS**

DTS-61~66□



P.C.B. LAYOUT



CIRCUIT DIAGRAM

DTS-62~66□-V	0.6 MAX	.0236 MAX
DTS-61□-V	0.5 MAX	.0197 MAX
PROD. NO.	I	INCHES.

DTS-66□-V	13.0 [0.512]
DTS-65□-V	9.5 [0.374]
DTS-63□-V	7.0 [0.275]
DTS-62□-V	5.0 [0.197]
DTS-61□-V	4.3 [0.169]
PROD. NO.	H

General Tolerance : ±0.2mm