

# PRODUCT SPECIFICATION / APPROVAL SHEET

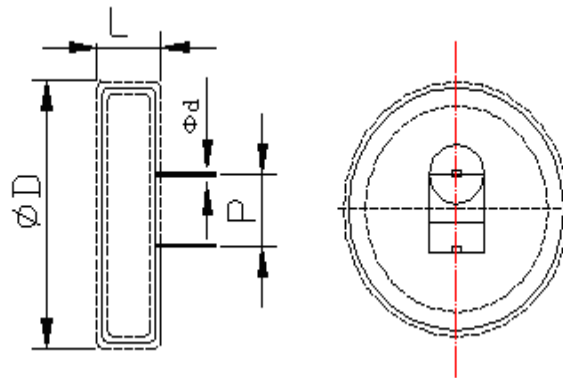
## 1. General Specification

Item		Specification/Condition
01	Part No	SE-5R5-D105VY
02	Rate discharge capacitance (F 25°CΔV = 3V-2.5V I = 0.01A)	1.0
03	Capacitance tolerance	-20%~+80%
04	Rated Voltage U <sub>0</sub> (V)	5.5
05	Operating temperature range	-25°C~70°C
06	MAX.ESR(Ω 1KHz)	15
07	Dimension(mm ΦD×L) ±0.5	20.5×7.5
08	Down-lead diameter(mm ϕ)	5.0±0.5
09	Cycle life Expectancy	After nominal voltage, 100,000 times charge-discharge circle   ΔC/C   ≤30% of the initial value , ESR≤4 times of the specified value(25°C).

## 2. Environmental Specification

Item		Specification/Condition
01	Temperature characteristics	+70°C,   ΔC/C   ≤30% of the initial value , ESR≤specified value (25°C) -25°C,   ΔC/C   ≤50% of the initial value , ESR≤4 times of specified value ( 25°C )
02	High temperature load characteristics	After +70°C±2,nominal voltage , 1000h ,   ΔC/C   ≤30% of the initial value , ESR≤4 times of specified value ( 25°C )
03	High temperature without load characteristics	+70°C±2, 1000h±4,   ΔC/C   ≤30% of the initial value, ESR≤2times of specified value ( 25°C )
04	Humidity Resistance	After +40°C±2, 90--95%RH , 240h,   ΔC/C   ≤30% of the initial measured value, IL≤2 times of specified value ( 25°C ) ,ESR≤4 times of specified value ( 25°C )

### 3. Figure and Dimension



### 4. Test result

#### Temperature and life characteristics test

##### (1)、Temperature characteristics

##### (2)、Life characteristics

