

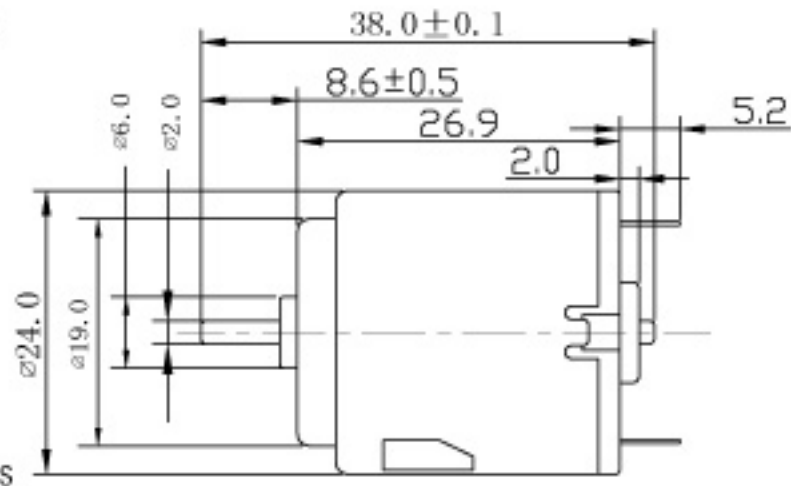
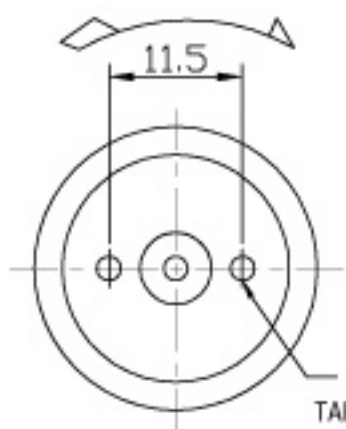
版次: A

未注公差			圆角半径和倒角高度		
0-6	6-30	30-120	0-3	3-6	6-30
±0.06	±0.1	±0.2	±0.2	±0.5	±0.8

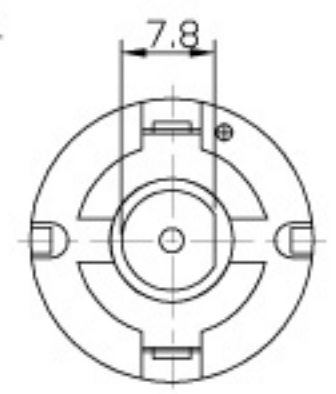
MODEL: HS-RE260-18130 (ROHS)

VOLTAGE: 1.5 VDC

DIRECTION OF ROTATION



两端子间加恒定电压



TITLE: 外形装配图	A4	DRAWER:	
MATERIAL:		CHECKER:	
MODEL:		APPROVER:	
DO NOT SCALE THE DAWING			
DAWING NO: A080314-1			

FUER DIESE ZEICHUNG BEHALTEN WIR UNS ALLE RECHTE NACH DIN 34 FÜR

DRAWING CREATED ISO STANDARDS

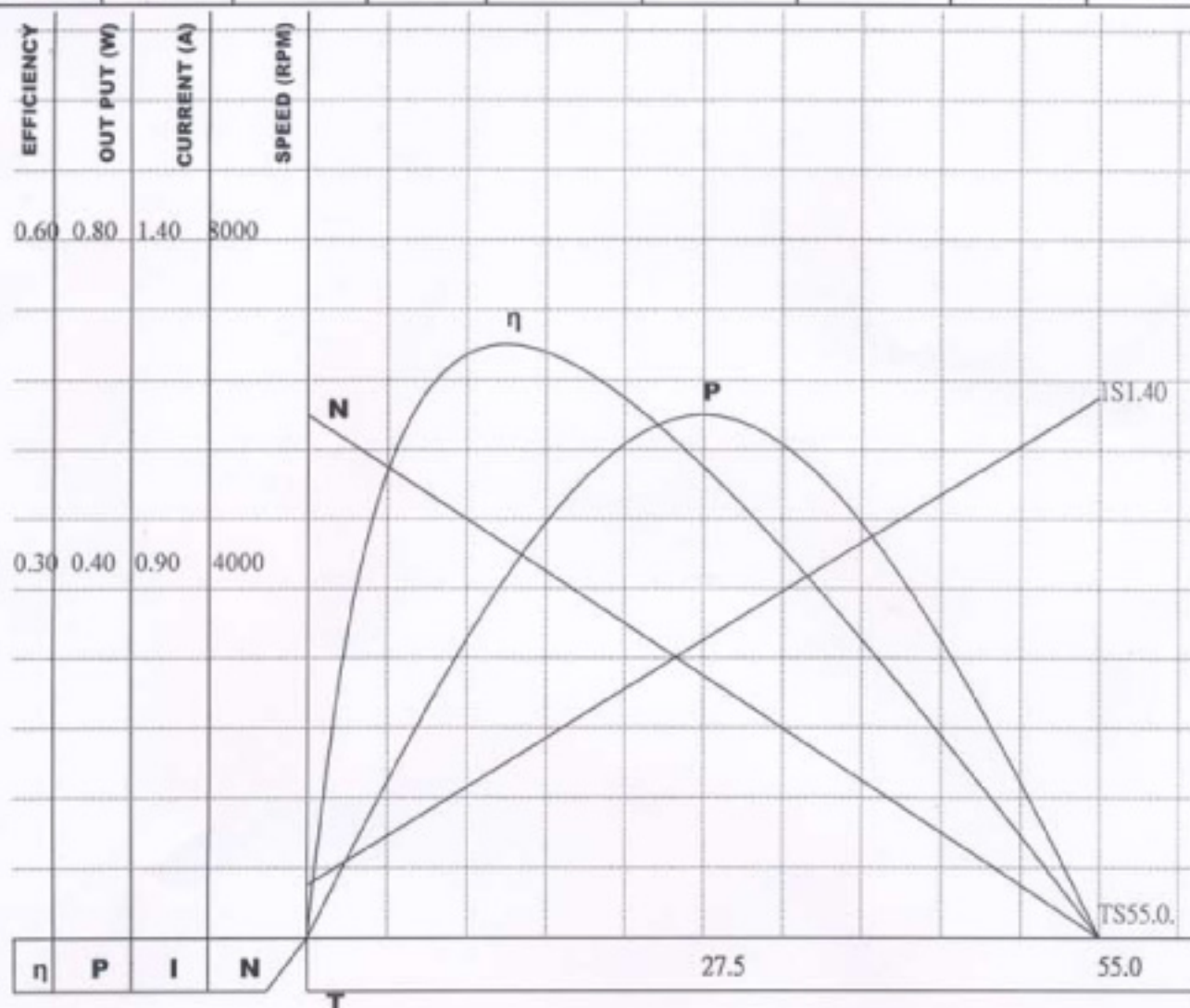
THIS DOCUMENT AND ALL INFORMATION THEREIN CONTAINED ARE OUR EXCLUSIVE PROPERTY. THE RECIPIENT AGREES NOT TO REPRODUCE, COPY, USE, OR TRANSMIT THIS DOCUMENT AND/OR THE INFORMATION THEREIN CONTAINED FOR ANY PURPOSE EXCEPT WITH OUR WRITTEN PERMISSION

Drawings&Specifications

MODEL: HS-RE260-18130 (ROHS) **VOLTAGE:** 3.0 VDC

LENGTH OF SHAFT (A):38.0mm(±0.1)	FRONT EXTENSION (B):8.6mm(±0.5)	NOISE : 60 dBA / inch (Max)
----------------------------------	---------------------------------	-----------------------------

NO LOAD		LOAD EFFICIENCY (APPROX)					STALL	
SPEED (r. p. m.)	CURRENT (A)	SPEED (r. p. m.)	CURRENT (A)	TORQUE (g • cm)	OUT PUT (W)	EFFICIENCY (%)	CURRENT (A)	TORQUE (g • cm)
6600 ± 10%	0.13 MAX	5100	0.4	11.6	0.42	51.28	1.40 MAX	55.0 MIN



CUSTOMER	A071218-1	REVISION	A	DATE	2009.03.14
DRAWN BY	罗永好	CHECKED BY		APPROVED BY	