

THIS DOCUMENT AND ALL INFORMATION THEREIN CONTAINED  
 ARE OUR EXCLUSIVE PROPERTY. THE RECIPIENT AGREES  
 NOT TO REPRODUCE, COPY, USE OR TRANSMIT THIS DOCUMENT  
 AND/OR THE INFORMATION THEREIN CONTAINED FOR  
 ANY PURPOSE, EXCEPT WITH OUR WRITTEN PERMISSION

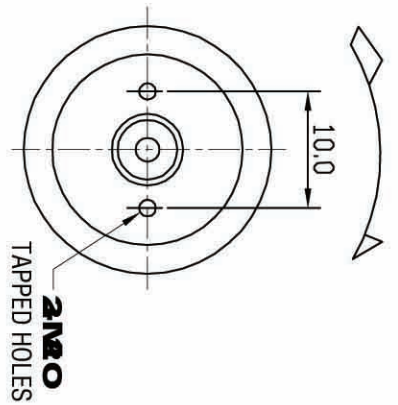
DRAWING CREATED ISO STANDARDS

FUER DIESE ZEICHUNG BEHALTEN WIR  
 UNS ALLE RECHTE NACH DIN 34 FÜR

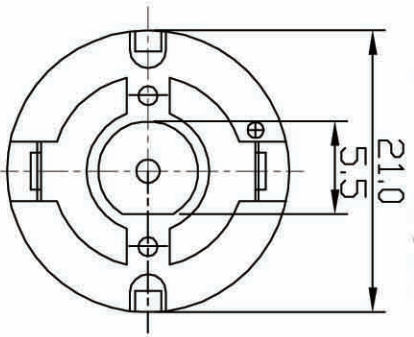
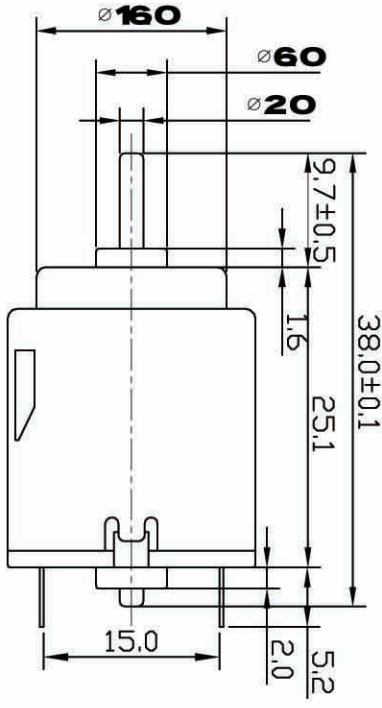
版次: A

MODEL: HS-RE140-2270 (ROHS)

VOLTAGE: 3.0 VDC



DIRECTION OF ROTATION



两端子间加恒定电压

未注公差	圆角半径和倒角高度
0~6	0~3
6~30	3~6
30~120	6~30
±0.05	±0.5
±0.1	±0.8
±0.2	

TITLE: 外形装配图	A4	DRAWER:
MATERIAL:		CHECKER:
MODEL: R140		APPROVER:
DD NOT SCALE THE DAWING		
DAWING NO: A080314-1		

1 2 3 4 5 6