

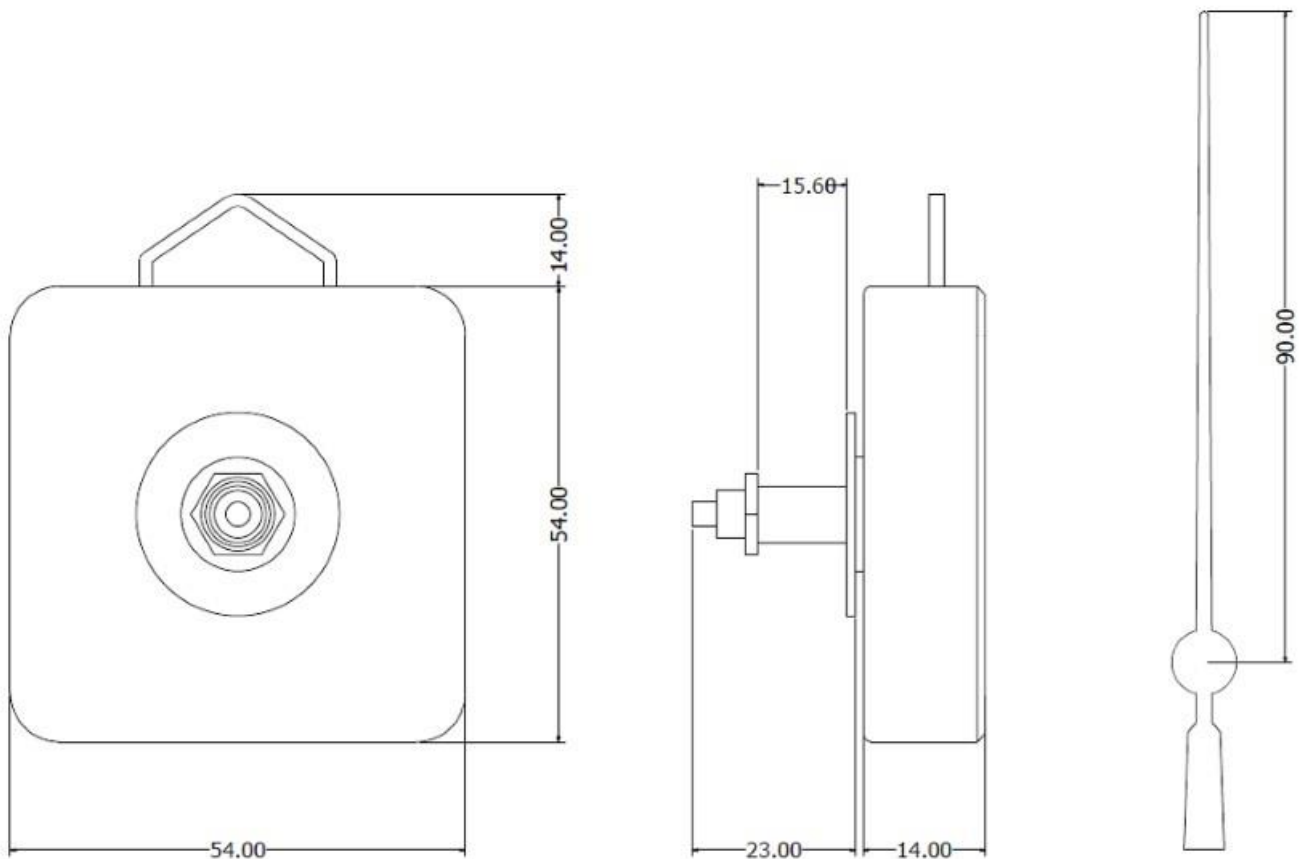
## 2801 Quartz Clock Mechanism Datasheet

### Dimensions:

- Width: 54mm.
- Height: 54mm.
- Depth: 14mm.

### Hand Lengths:

- Hour hand: 65mm.
- Minute hand: 90mm.
- Second hand: 90mm.



## Characteristics

Crystal Oscillator:	32.768KHz	Output Torque:	Minimum 160 uNm
Accuracy at 22-26 degrees:	$\pm 1$ second/day at 1.5V	Battery Size:	AA
Operating Voltage:	1.3V to 1.7V	Battery Life:	>1 Year
Operating Temperature:	-10°C to 50°C	Max Second Hand Length:	90mm
Motor Type:	Two-pole stepping motor	Max Second Hand Weight:	6g
Consumption Current:	Less than 130 uA at 1.5V	Max Minute Hand Length:	90mm
		Max Minute Hand Weight:	6g

## Ordering information

Quartz Clock Mechanism, single	2801-01
Quartz Clock Mechanism, box of 20	2801-20
Quartz Clock Mechanism, tray of 100	2801-100

