



Features:

- Universal / Full range AC input
- Fitted with 2.1 C+ve DC jack plug
- Class II power (no earth)
- Small & Compact UK Plug design
- Switch-mode power supply
- Cost effective and high reliability
- Protections: Over Voltage, Short circuit & Over Temp.
- Approvals: GS & CE
- Level V ErP/EuP efficiency compliant
- MTBF >50,000 hours
- 1 Year Warranty



Output Characteristics

Part Number	T4424ST	T4425ST*	T4408ST	T4487ST	T4180ST	T4549ST	T4426ST*	T4427ST*	T4428ST
Voltage	5Vdc	9Vdc	12Vdc	12Vdc	12Vdc	12Vdc	15Vdc	18Vdc	24Vdc
Current Max.	2.5A	1.67A	0.5A	1A	1.25A	1.25A	1.2A	1A	0.83A
Current Min.	0A	0A	0A	0A	0A	0A	0A	0A	0A
Power (watts)	12.5W	15W	6W	12W	15W	15W	18W	18W	20W
Line Regulation	+/-2 %	+/-1%	+/-5%	+/-5%	+/-2 %	+/-2 %	+/-1%	+/-1%	+/-2 %
Voltage Tolerance	+/-5 %	+/-5%	+/-5%	+/-5%	+/-5%	+/-5%	+/-5%	+/-5%	+/-5%
Ripple & Noise (mV p-p)	100mV	100mV	120mV	120mV	120mV	120mV	150mV	180mV	180mV
Protections	Over Voltage: Output voltage shall be clamped by internal protection zener Short Circuit: Output shut down and auto restart Temperature: No ignition, smoke or deformation of the case								
Case Size (See below) mm	70x50x77.4	75x58.7x50	70x49.2x72.7	70x49.2x72.7	70x50x54.7	70x50x77.4	75x58.7x50	75x58.7x50	74x50x77.4
Weight (approx.)	140g	TBA	140g	140g	140g	140g	TBA	TBA	200g
DC Cord	1.5 Metre	1.5 Metre	1.5 Metre	1.5 Metre	1.8 Metre	1.8 Metre	1.5 Metre	1.5 Metre	1.5 Metre
DC Plug (mm)	Straight 2.1C+ve	Straight 2.1C+ve	R-A 2.1C+ve	Straight 2.1C+ve	Straight 2.1C+ve	R-A 2.1C+ve	Straight 2.1C+ve	Straight 2.1C+ve	Straight 2.1C+ve

* Upgrade to Level V efficiency pending

Input Characteristics

Rated Input Voltage	100-240Vac								
Full Input Voltage Range	90-264Vac								
Rated Frequency	50-60Hz								
Full Frequency Range	47-63Hz								
Efficiency (min.)	75.04%	75%	73.42%	77.76%	79.15%	79.15%	70%	70%	76.9%
Input Current (RMS Max.)	500mA	800mA	500mA	500mA	500mA	500mA	800mA	800mA	700mA
Inrush Current 100Vac: 240Vac:	No damage	30A 75A	80A	No damage	No damage	No damage	30A 75A	30A 75A	No damage
Leakage Current	0.25mA	TBA	0.25mA	0.25mA	0.25mA	0.25mA	TBA	TBA	0.25mA
Input Power (no load)	<0.3W Max. (Level V ErP/EuP/CEC Compliant)								
Fixed AC Plug	UK	UK	UK	UK	UK	UK	UK	UK	UK

Safety, Mechanical and Other Characteristics

Range Model Designations	SAW24, DSA-12PFA, DSA-15P & DSA-20P (specified individually on each product label)
Hi-Pot Specification	3000VAC 10mA 1minute or 4242VDC 10mA 1minute (I.P. to O.P.)
Insulation Resistance	500Vdc to test the I.P.-O.P resistance not less than 100Mohm (I.P. to O.P.)
Operating Temperature	0°C to 40°C
Storage Temperature	-10°C to 70°C
Operating Humidity	20% to 80%
Storage Humidity	10% to 90%
Safety Approvals	T-LICENSE(BS EN60950-1)
EMI Standards	CE(EN55022)
PB-free	Yes. RoHS Compliant
MTBF	50K Hours (mean time before failure)



Stontronics Ltd

Chancerygate Business Centre, Cradock Road, Reading, Berkshire, RG2 0AH.

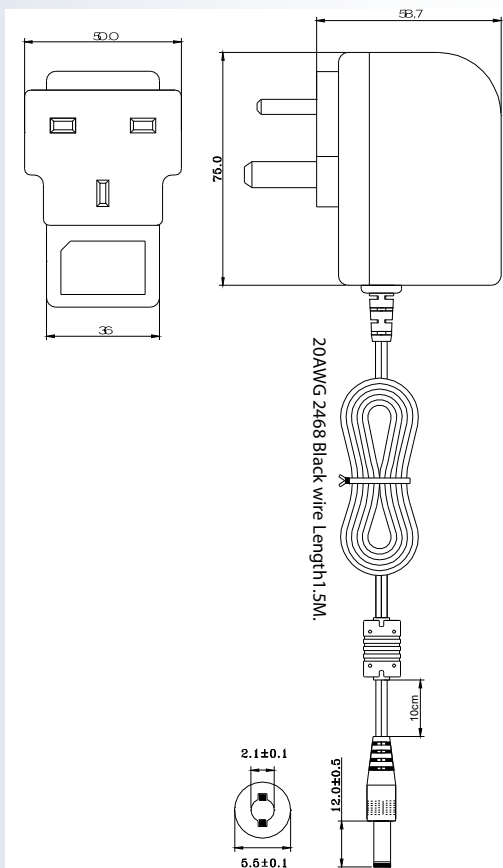
Tel: +44 (0) 118 931 1199 • Fax: +44 (0) 118 931 1145 • Email: info@stontronics.co.uk • Web: www.stontronics.co.uk

Please Note: Image shown is representative of entire range. Individual PSU image &/or drawings or data sheets available on request.

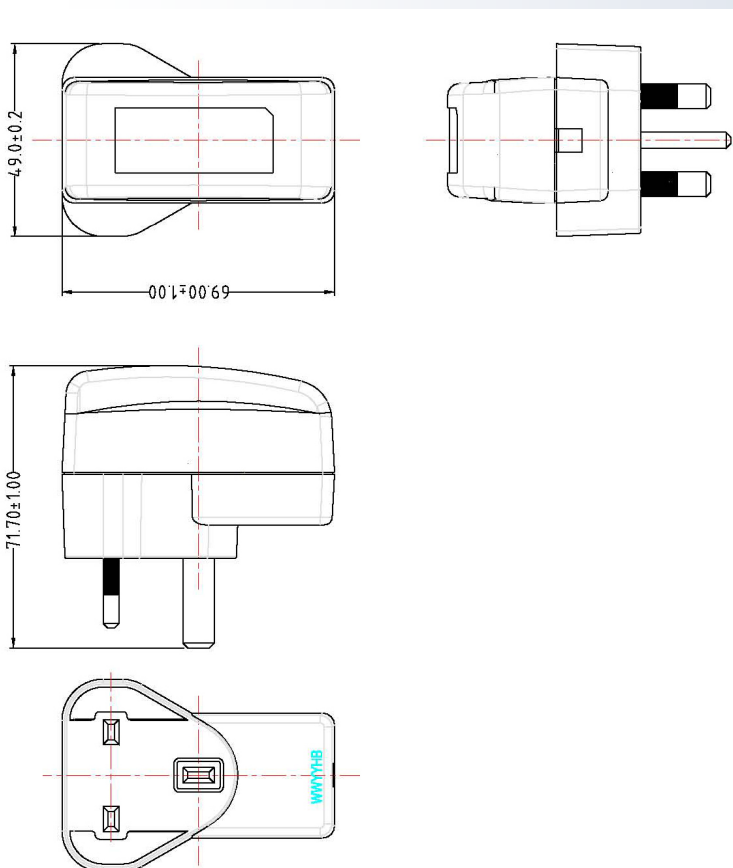
Stontronics Ltd accepts no responsibility for typographical errors in the production of this leaflet. Product specifications are subject to change without notice.

Case Drawings:

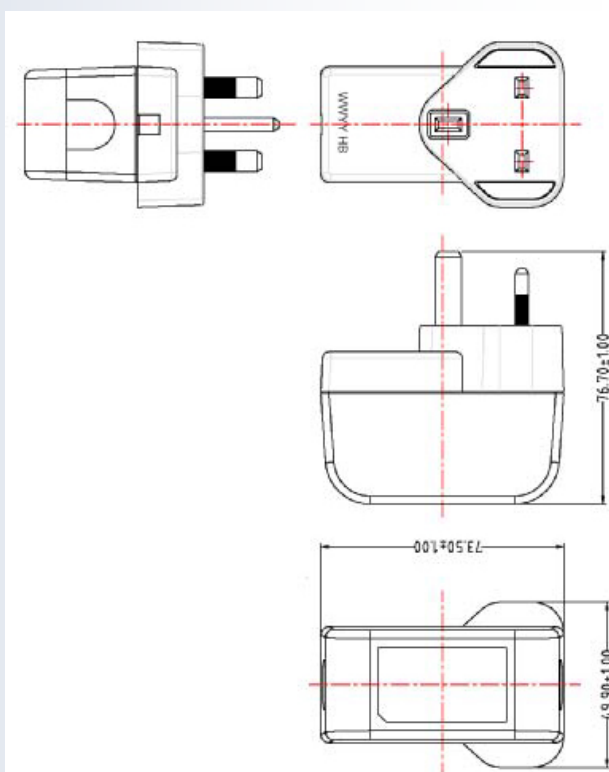
- 75x58.7x50:



- 70x50x71.7:



- 73.5x59.5x76.7:



- 70x50x76.4:

