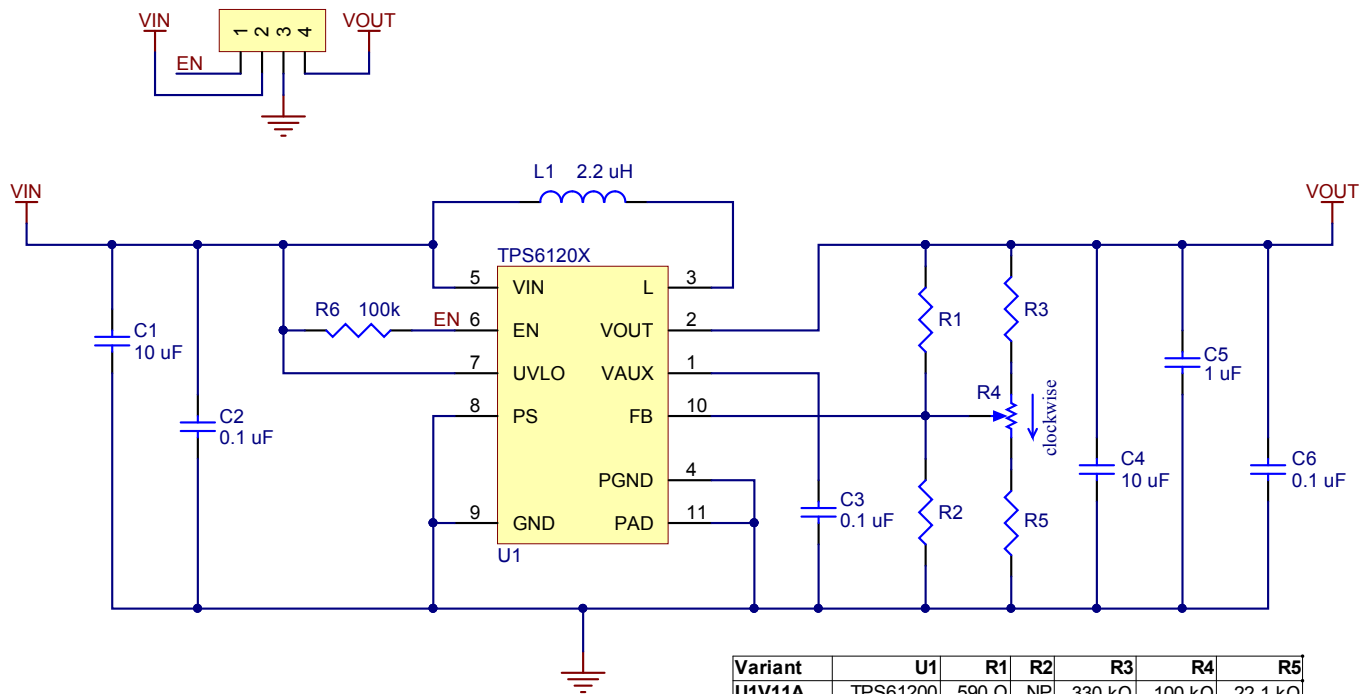


Step-UpVoltageRegulatorU1V11x



Variant	U1	R1	R2	R3	R4	R5
U1V11A	TPS61200	590 Ω	NP	330 kΩ	100 kΩ	22.1 kΩ
U1V11F3	TPS61201	0 Ω	NP	NP	NP	NP
U1V11F5	TPS61202	0 Ω	NP	NP	NP	NP