

Kitronik Ltd - [Tri-colour 5mm LED](#)

TECHNOLOGY DATA SHEET & SPECIFICATIONS

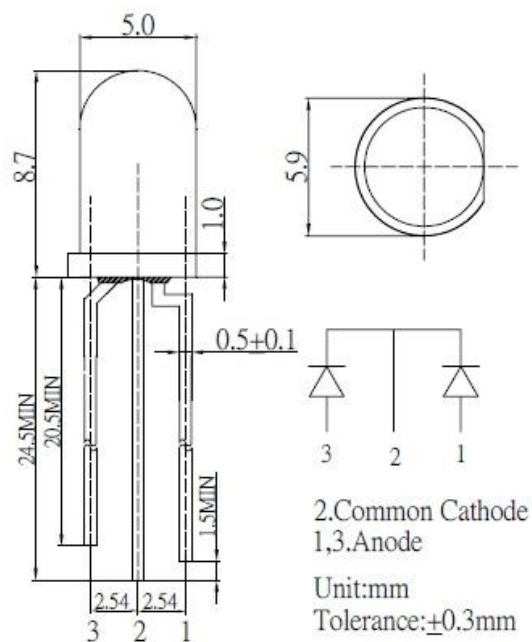
Introduction

These diffused LEDs are perfect for a variety of applications. The diffused lenses, wide viewing and medium luminous intensity make them ideal for indicators (e.g. Power, status etc).

Technical information

Forward Voltage:	2.1V
Angle:	30 deg
Luminous intensity red:	750 mCd (@20mA)
Luminous intensity green:	550 mCd (@20mA)
Max forward current:	30mA
Lens type:	Diffused

Mechanical information



Ordering

Stock code: 3511
Description: [Tri-colour 5mm LED, pack of 25](#)

Using the LED

Depending on the supply voltage used this LED may require a current limit resistor. To determine what value resistor is suitable please use Kitronik's [LED resistor value calculator](#).