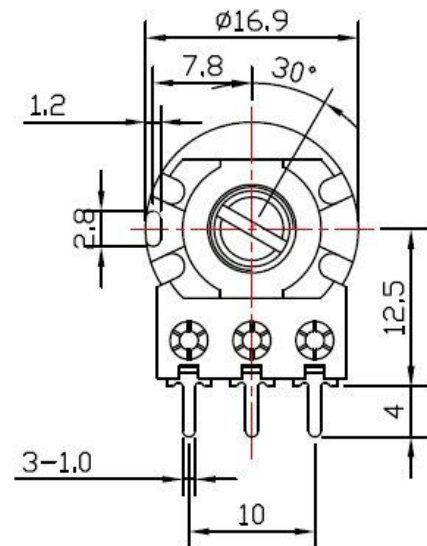
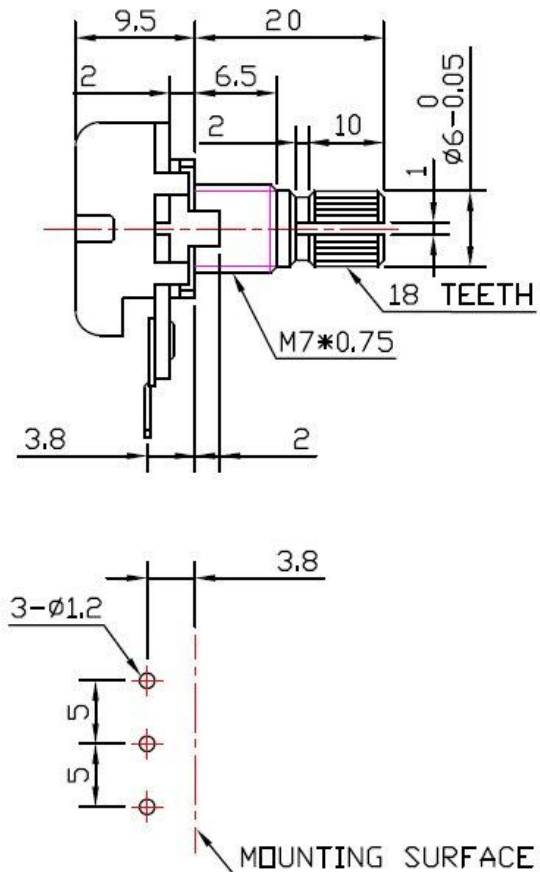


Kitronik Ltd – 16mm commercial linear potentiometers

Dimensions (all in mm)



SHAFT SHOWN IN FULL
C.C.W. POSITION

Mechanical specification

- Rotational angle = $300^\circ (\pm 5^\circ)$
- Rotational life = 15000 cycles

Electrical specification

- Carbon track
- Rated power = 0.125W
- Maximum voltage = 200V AC
- Insulation resistance = 100M Ω at 500V DC